

IKA®

Dispersers



designed
to work perfectly

T-series | Innovative solutions for dispersion technology



reddot design award
winner 2012

T-series range of dispersers are designed for mixing and dispersing of products with a wide range of viscosities. This series of dispersers enables the best possible results for any application with improved product quality and better stability.

Available
Q1/2013



2+1 year after registering at
www.ika.com/register



Digital display for
precise monitoring of
set and actual speeds



Wide selection of
dispersing tools to suit
your application



Rotating knob for adjusting
the speed



Motor protection against
overload



Quick-connect coupling to
exchange dispersing tools
easily



Technical data | T-series ULTRA-TURRAX® Dispersers



reddot design award
winner 2012



T 18 digital



T 25 digital



Available
Q1/2013

T 50 digital

Technical data

Motor rating input / output	500 / 300 W	800 / 500 W	1100 / 700 W
Volume range (H ₂ O)	100 – 1500 ml	100 – 2000 ml	0.25 – 30 l
Viscosity max.	5000 mPas	5000 mPas	5000 mPas
Speed range	500 – 25,000 rpm	500 – 25,000 rpm	500 – 10,000 rpm
Speed display	LED	LED	LED
Speed control	stepless	stepless	stepless
Noise without element	75 dB(A)	75 dB(A)	72 dB(A)
Extension arm diameter	13 mm	13 mm	16 mm
Extension arm length	175 mm	175 mm	220 mm
Process type	batch	batch	batch
Dimensions (W x D x H)	87 x 271 x 106 mm	87 x 271 x 106 mm	115 x 139 x 355 mm
Weight	2.5 kg	2.5 kg	5.76 kg
Perm. ambient temperature	5 – 40 °C	5 – 40 °C	5 – 40 °C
Permissible relative moisture	80 %	80 %	80 %
Protect. class DIN EN 60529	IP 20	IP 20	IP 20
Interface	no	no	no
Voltage	200 – 240 V	200 – 240 V	200 – 240 V
Frequency	50/60 Hz	50/60 Hz	50/60 Hz

Ident. No. 3720022

Ident. No. 3725022

Ident. No. 3787000

Packages to suit your applications



reddot design award
winner 2012



Available
Q1/2013

T 18 digital Package 1

T 18 digital Dispenser	Ident. No. 3720022
S 18 N - 10 G Dispensing element	Ident. No. L004639
R 1822 Plate stand	Ident. No. 1163100
R 182 Boss head clamp	Ident. No. 2657700

T 18 digital Package 1 **Ident. No. 9024622**

T 18 digital Package 2

T 18 digital Dispenser	Ident. No. 3720022
S 18 N - 19 G Dispensing element	Ident. No. L004640
R 1822 Plate stand	Ident. No. 1163100
R 182 Boss head clamp	Ident. No. 2657700

T 18 digital Package 2 **Ident. No. 9024722**

T 18 digital Package 3

T 18 digital Dispenser	Ident. No. 3720022
S 18 N - 19 G Dispensing element	Ident. No. L004640

T 18 digital Package 3 **Ident. No. 9022822**

T 25 digital Package 1

T 25 digital Dispenser	Ident. No. 3725022
S 25 N - 18 G Dispensing element	Ident. No. 0593400
R 1822 Plate stand	Ident. No. 1163100
R 182 Boss head clamp	Ident. No. 2657700
RH 3 Strap clamp	Ident. No. 3008600

T 25 digital Package 1 **Ident. No. 9024222**

T 25 digital Package 2

T 25 digital Dispenser	Ident. No. 3725022
S 25 N - 10 G Dispensing element	Ident. No. 0594000
R 1822 Plate stand	Ident. No. 1163100
R 182 Boss head clamp	Ident. No. 2657700
RH 3 Strap clamp	Ident. No. 3008600

T 25 digital Package 2 **Ident. No. 9024322**

T 25 digital Package 3

T 25 digital Dispenser	Ident. No. 3725022
S 25 N - 25 F Dispensing element	Ident. No. 1713800
R 1822 Plate stand	Ident. No. 1163100
R 182 Boss head clamp	Ident. No. 2657700
RH 3 Strap clamp	Ident. No. 3008600

T 25 digital Package 3 **Ident. No. 9024422**

T 50 digital Package

T 50 digital Dispenser	Ident. No. 3787000
R 2723 Telescopic stand	Ident. No. 1412100
S 50 N Shaft	Ident. No. 1684400
G 45 G Dispensing head	Ident. No. 1686600
R 271 Boss head clamp	Ident. No. 2664000
RH 5 Strap clamp	Ident. No. 3159000

T 50 digital Package **Ident. No. 9024500**

Dispersing tools



Dispersing element	S 18 N - 10 G	S 18 N - 19 G	S 25 N - 10 G	S 25 N - 18 G	S 25 N - 25 F
Ident. No.	L004639	L004640	0594000	1593400	1713800
Working range	1 – 100 ml	10 – 1.500 ml	1 – 100 ml	10 – 1.500 ml	100 – 2.000 ml
Stator diameter	10 mm	19 mm	10 mm	18 mm	25 mm
Rotor diameter	7,5 mm	12,7 mm	7,5 mm	12,7 mm	18 mm
Gap between rotor and stator	0,35 mm	0,4 mm	0,35 mm	0,3 mm	0,5 mm
Min. / max. immersion depth	25 / 70 mm	35 / 170 mm	22 / 85 mm	40 / 165 mm	40 / 165 mm
Shaft length	108 mm	204 mm	105 mm	194 mm	194 mm
Materials in contact with medium	PTFE, AISI 316L	PTFE, AISI 316L	PTFE, AISI 316L	PTFE, AISI 316L	PTFE, AISI 316L
pH range	2 – 13	2 – 13	2 – 13	2 – 13	2 – 13
Suitable for solvents	yes	yes	yes	yes	yes
Max. temperature	180°C	180°C	180°C	180°C	180°C
Sterilization methods	all methods	all methods	all methods	all methods	all methods
Min. vacuum	-	-	-	-	-
Max. pressure	-	-	-	-	-

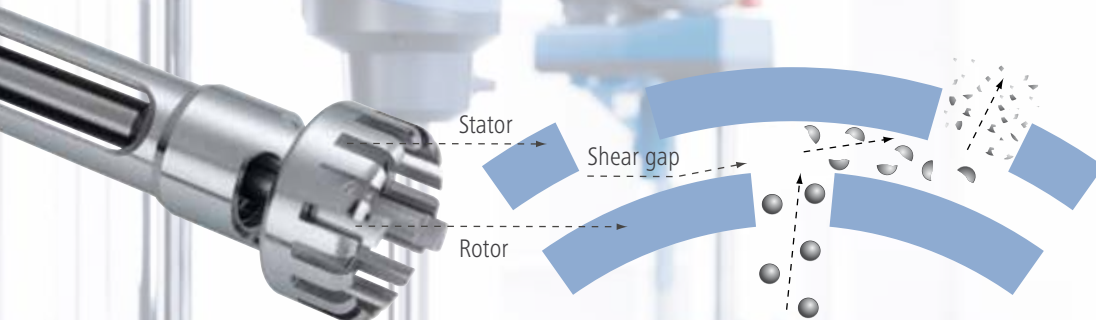
1

2

3

4

5



IKA® dispersing technology works by using the rotor-stator principle. The system consists of a rotor within a stationary stator. Due to the high circumferential speed, the medium to be processed is drawn axially into the dispersion head and then forced radially through the slots in the rotor-stator arrangement. The high speed and minimal gap between the rotor and stator produces extremely strong shear forces which results in better dispersion.

Dispersers | Accessories



R 1822 Plate stand

With slip resistant foil.

Diameter of support rod	16 mm
Dimensions (W x D)	200 x 315 mm
Height	800 mm
Max. load	-
Stroke	-

Ident. No.
1163100



R 2723 Telescopic stand

Equipped with a pneumatic spring stand rod enabling heavy attachments to be raised and lowered smoothly.

Diameter of support rod	34 mm
Dimensions (W x D)	460 x 420 mm
Height	620 – 1.010 mm
Max. load	10 kg
Stroke	390 mm

Ident. No.
1412100



R 182 Boss head clamp

Clamping range - stand	6 – 16 mm
Clamping range - extension arm	6 – 16 mm
Material	cast aluminum

Ident. No.
2657700



RH 5 Strap clamp

For securing vessels against walls or for synchronized rotation during stirring or dispersing.

For stand diameter	25 – 36 mm
For vessel diameter	40 x 300 mm

Ident. No.
3159000



RH 3 Strap clamp

For securing vessels against walls or for synchronized rotation during stirring or dispersing.

For stand diameter	8 – 16 mm
For vessel diameter	40 x 300 mm

Ident. No.
3008600



R 271 Boss head clamp

Specialized clamp with openings for the stands R 2722 and R 2723 as well as extensions with Ø 16 mm.

Clamping range - stand	34 mm
Clamping range - extension arm	16 mm
Material	cast aluminum

Ident. No.
2664000

Subject to technical changes. For more information, please visit www.ika.in



designed
to work perfectly

IKA® India Private Limited
814/475, Survey No.129/1 Mysore Road, Kengeri,
560060 Bangalore, Karnataka, India
Tel. +91 80 2625 3900 · Fax +91 80 2625 3901
info@ika.in · www.ika.in

IKA®